

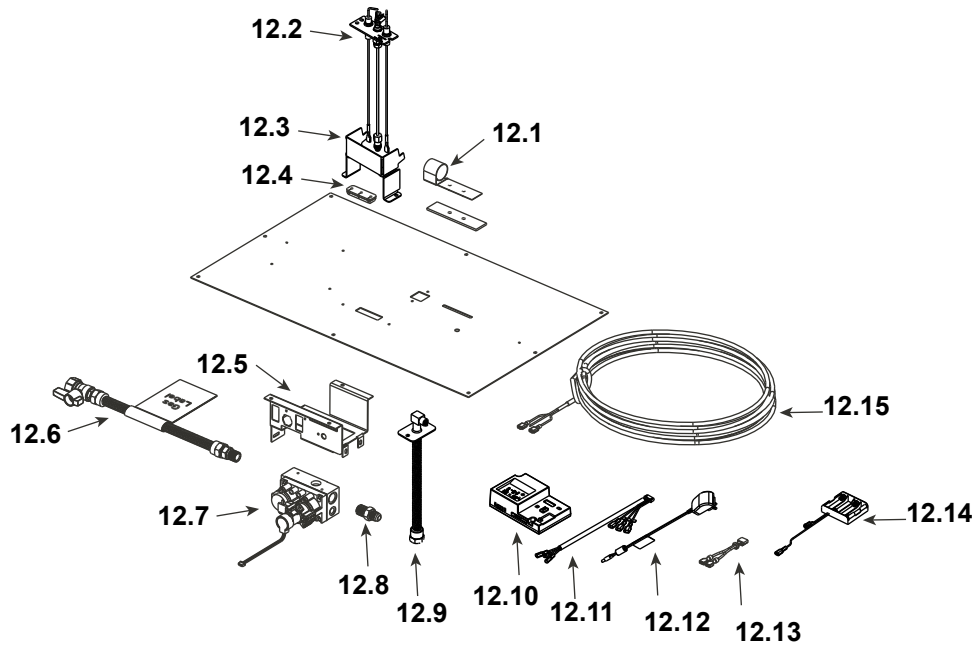
IMPORTANT: THIS IS DATED INFORMATION. Parts must be ordered from a dealer or distributor. **Hearth and Home Technologies does not sell directly to consumers.** Provide model number and serial number when requesting service parts from your dealer or distributor.



Stocked at Depot

ITEM	DESCRIPTION	COMMENTS	PART NUMBER	
1	Non-Combustible Board		2170-136	
2	Refractory Bracket	Qty 2 req	2241-115	
3	Rock Fixture Assembly		2241-040	Y
4	Base Pan Assembly		2242-015	
4.1	Base Pan Back		2242-114	
4.2	Base Pan Front		2242-101	
4.3	Pilot Hood		2241-117	
4.4	Pilot Shield	Stainless	2241-116	
5	Burner Assembly		2510-006	Y
6	Glass Refractory, Back		2510-700	
7	Glass Refractory, Sides	Qty 2 req	2510-701	
8	Glass Retainer Clips	Pkg of 25	060-235-25	Y
9	Surround Assembly		2170-019	
10	Glass Assembly		GLA2507-018	Y
11	Junction box		SRV4021-013	Y

#12 Valve Assembly



IMPORTANT: THIS IS DATED INFORMATION. Parts must be ordered from a dealer or distributor. **Hearth and Home Technologies does not sell directly to consumers.** Provide model number and serial number when requesting service parts from your dealer or distributor.



Stocked at Depot

ITEM	DESCRIPTION	COMMENTS	PART NUMBER	
12.1	Shutter Bracket Assembly		2118-121	Y
12.2	Pilot Assembly, NG		SRV2090-012	Y
12.3	Pilot Bracket		SRV2241-109-BK	
12.4	3-Hole Grommet		SRV2118-420	
12.5	Valve Bracket		2118-104	
12.6	Flex Ball Valve Assembly		SRV302-320	Y
12.7	Valve, NG		SRV2166-302	Y
12.8	Male Connector	Pkg of 5	303-315/5	Y
12.9	Bulkhead w/FlexTube		SRV7000-156	Y
12.10	Module, IFT Control		SRV2326-130	Y
12.11	Harness, IFT 6 Pin Wiring		SRV2326-132	Y
12.12	Switched DC Regulator		SRV2326-131	Y
12.13	Jumper Wire		SRV2187-198	Y
12.14	Battery Pack**		SRV2326-134	Y
12.15	Thermostat Wire Assembly		SRV2118-170	Y
	Orifice, NG (#33C)		582-833	Y

**Fuse for battery pack can be sourced locally, not a warranty item. Specs are 250v, 3A fuse, 3/4" long

Additional service part numbers on following page.



No one builds a better fire

Beginning Manufacturing Date: Mar 2018
Ending Manufacturing Date: Active

IMPORTANT: THIS IS DATED INFORMATION. Parts must be ordered from a dealer or distributor. **Hearth and Home Technologies does not sell directly to consumers.** Provide model number and serial number when requesting service parts from your dealer or distributor.



Stocked
at Depot

ITEM	DESCRIPTION	COMMENTS	PART NUMBER	Stocked at Depot
	Flue Restrictor		385-328	
	Glass Latch Assembly	Qty 4 req	2382-400	Y
	Gasket Assembly Includes Vent, Seal Cap, Burner Neck, Shutter Bracket, Manifold and Valve Plate gaskets		2166-081	
	Media, Standard (5 LB bag) Black	Qty 3 req	2188-850	
	Media, (Optional 7 LB bag) Clear	Qty 2 req	4065-111	
	Media (Optional 14 LB bag)	Amber	MEDIA-AMBER-14	
		Cobalt (Blue)	MEDIA-COBALT-14	
	Touch Up Paint		TUP-GBK-12	
Conversion Kits				
	*This unit is not conversion compatible			
	Pilot Orifice, NG		593-528	Y
	Regulator, NG		NGK-DXV-50	Y